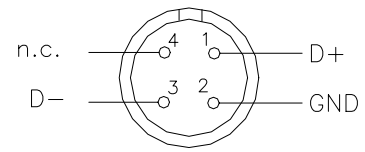
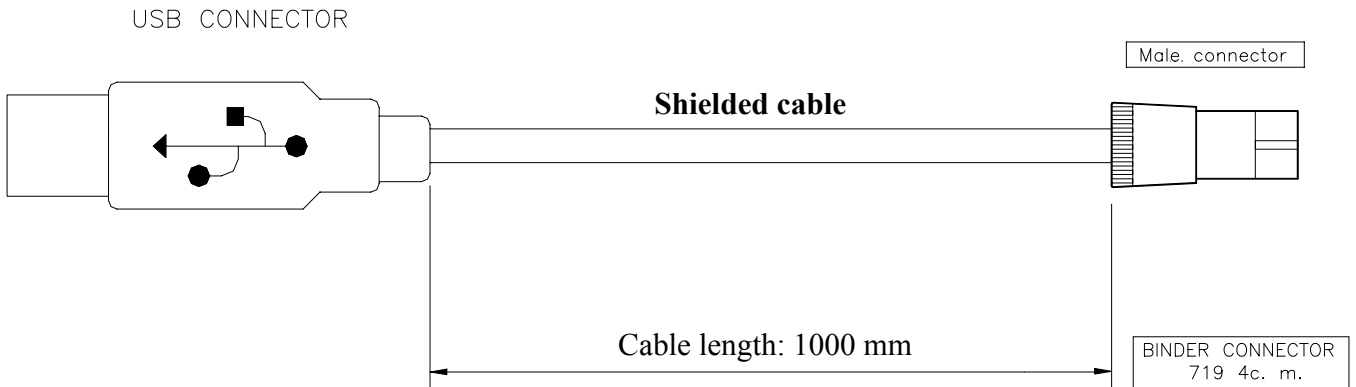


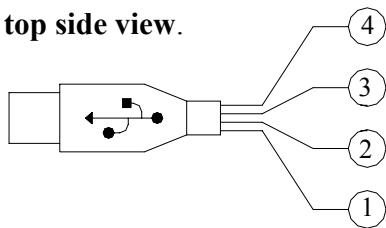
USB cable for MyChron 3 Plus/Gold



Solder termination view

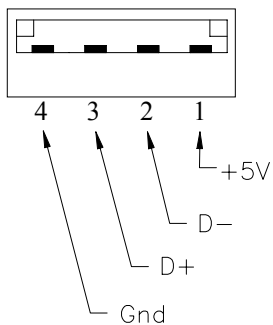


PIN positions on the USB connector:
top side view.

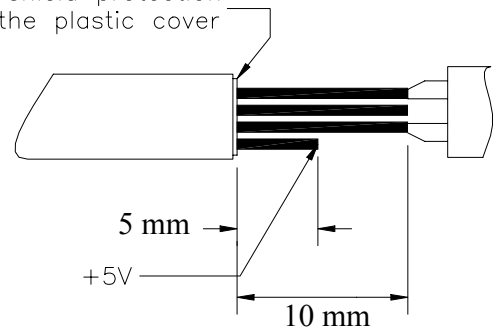


USB CABLE PINOUT		
USB PIN #	BINDER PIN #	CONNECTION
1	nc	+5V
2	3	D-
3	1	D+
4	2	GND

PIN positions on the USB connector:
front side view.



Cut the shield protection and the plastic cover



Dimensions in millimetres